

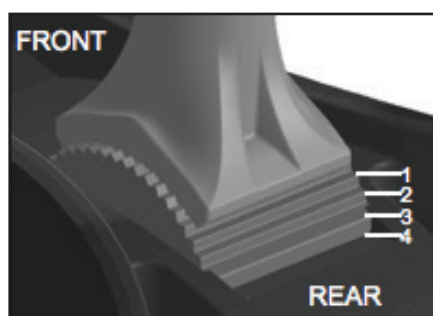
Introduction

The Fusion Zero brings a fundamentally new approach to unicycle saddle design. With a gentle curve and slim mid-section, the Fusion Zero feels like a performance bike saddle with the control of a unicycle saddle.

Fitting Notes

The Fusion Zero is a performance saddle. Proper saddle angle and handle setup are critical for comfort. Many options are possible, but below are recommended setups. Keep a hex key with you when riding and make adjustments until you find your preferred setup

Saddle Angle



Saddle angle is easily adjusted by loosening the Pivotal seatpost bolt through the top of the saddle. Use the number of Pivotal “steps” visible behind the seatpost as a reference. The saddle has a 24° adjustment range in 6° increments.

The Fusion Zero is designed to slope somewhat downwards towards the back. We suggest starting with angle #3. Many riders prefer this angle for muni. Road riders may prefer a lower angle (#2) in combination with an extended or lower T-handle.

Saddle Handle

The handle supplied with the saddle provides a compact, comfortable grip. However, except for trick-oriented and extremely technical riding we recommend adding a KH T-bar handle (not included). The T-bar increases control and makes it easier to keep your weight back on your sit bones. Many configurations exist, but we recommend the T-bar setups below. Keep an allen key with you on your rides and experiment until you find the best position.

Muni and all-around riding

Remove the plastic front handle. Replace the plastic front handle with the T-bar mounted at high angle, close to the saddle as shown. This position provides the strongest control for both pulling and pushing on the handle.



Suggested muni configuration

T-Handle: **straight**

Saddle angle: **#3**

Handle Mount: **clamp facing REAR**

Bar-ends: **horizontal for secure pulling**

Saddle Handle (cont'd)

Road riding

Install the T-bar in addition to the plastic front handle. This handle position provides greater support for longer road rides. We recommend the KH T-handle with 30° bend because it increases finger clearance below the plastic saddle handle. Riders preferring a very low handle position may choose the straight T-bar for the same setup.



Suggested road configuration

T-Handle: **30° Bend**

Saddle angle: **#2**

Handle Mount: **clamp facing FORWARDS**

Bar-ends: **raised up for comfortable pushing**

Additional Tips

- If your knees bump the bar-ends, raise the T-handle higher or cut the "T" width narrower.
- For short handle positions, flip the tube securing the T-handle to the saddle so that the clamp faces the back. Face the clamp forwards for extended handle positions.
- Move the T-handle closer to the saddle to increase power when pulling.
- Extend the T-handle further from the saddle for greater support when pushing.
- Lower the bar-end angle to increase power when pulling.
- Raise the bar-end angle for greater comfort when pushing.
- A lower, less extended T-handle provides a similar riding stance to a higher more extended T-handle, but with greater control.
- Increase the saddle angle or raise the T-handle position if you are falling forward in the saddle.
- Lower the saddle angle or raise the T-handle position if you feel front saddle pressure.
- Cut excess tubing off the back of the T-handle once you have finalized your handle position.



Warranty

Kris Holm Unicycles products are warranted to the original owner against manufacturing defects for one (1) year following the original purchase date. For more details visit <http://www.krisholm.com/legal/warranty>



Unicycling can be hazardous and can result in injuries. Use common sense, ride within your abilities, and wear safety gear. Kris Holm Unicycles cannot accept responsibility for any personal injury that you might sustain or that you might cause to another person as a result of the use, breakage or improper assembly of Kris Holm Unicycles equipment.